



Stand: 2023/03/23

## Stainless steel HGK NLI 02/100/35G-FSF INOX

Item No.: 883051

**Housing:** Light swivel fork made of stainless steel with with fixing-plate, strong central bolt, double ball race, with high temperature grease, our Series NLI

**Wheel:** Tyre: made of special plastic silicon rubber (high temperature), rim made of high temperatur plastic, from -40°C up to 250°C,

### Specifications

Wheel-diameter (D):	100
Wheel-diameter x width (t):	100x35
Structure:	swivel caster with brake
Wheel bearings:	Plain bearing
Material tires:	silicon rubber (high temperature)
Color tires:	black
Rim material:	plastic (high temperature)
Surface of the housing:	stainless steel
Material of housing:	stainless steel, pressed
Fixing:	fixing plate
tread (T):	35
non marking:	No
Tread hardness (Shore A):	90
fixing plates dimension (A x B):	100x85
Fixing hole (a x b):	80x60
Bolt hole Ø:	9
Total high (H):	128
Offset (F):	42
Swivel radius:	132
Load capacity (Kg):	110
Stainless steel:	Yes
Temperature of °C:	-40
Temperature up to °C:	250
EAN-Code:	4250777731768
Delivery time in days:	4
Unit weight (Kg):	1.020

### Review

Rolling resistance:	
Wear and tear:	
Soil conserving:	
Driving noise:	

### Series

Wheel-Series:	HGK
Housing:	NLI

### Variants

- [wheel](#)  
[HGK 100/ 35/1G](#)
- [swivel caster without brake](#)  
[Stainless steel HGK NLI](#)  
[02/100/35G INOX](#)
- [swivel caster with brake](#)  
[HGK NL 02/100/35G-FSF](#)
- [fixed caster](#)  
[Stainless steel HGK NBI](#)  
[02/100/35G INOX](#)

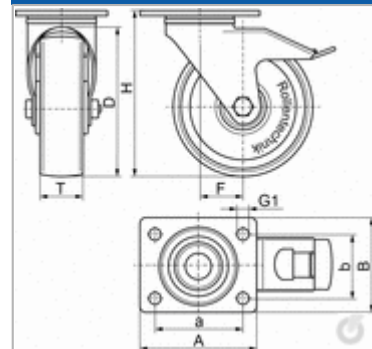
### Caster



### Wheel



### Drawing



### Drawing fork head

