



Stand: 2020/04/06

Stainless steel HSE NRI 02/100/40K

Item No.: 860035

Housing: Light swivel fork made of stainless steel with with bolt hole, strong central bolt, double ball race, with high temperature grease, our Series NLI

Wheel: Tyre: made of silicon-rubber (high temperature), 90 shore a, from -40°C up to 250°C; Rim: made of aluminium, ball bearing

Specifications

Wheel-diameter (D):	100
Wheel-diameter x width (t):	100x40
Structure:	swivel caster without brake
Wheel bearings:	Plain bearing
Material tires:	silicon rubber (high temperature)
Color tires:	red
Rim material:	aluminum
Surface of the housing:	stainless steel
Material of housing:	steel, pressed
Fixing:	bolt hole
tread (T):	40
non marking:	Yes
Tread hardness (Shore A):	90
Diameter bolt hole (D):	13
Total high (H):	128
Offset (F):	40
Swivel radius:	90
Load capacity (Kg):	80
Stainless steel:	Yes
Temperature of °C:	-40
Temperature up to °C:	250
EAN-Code:	4250777734189
Delivery time in days:	4
Unit weight (Kg):	0.890

Review

Rolling resistance:	
Wear and tear:	
Soil conserving:	
Driving noise:	

Series

Wheel-Series:	HSE
Housing:	NRI

Variants



[swivel caster with brake
Stainless steel HSE NRI
02/100/40K-FSF](#)



[wheel
HSE 100/40 -75/2K 6002 Z](#)



[swivel caster without brake
HSE NR 02/100/40K](#)

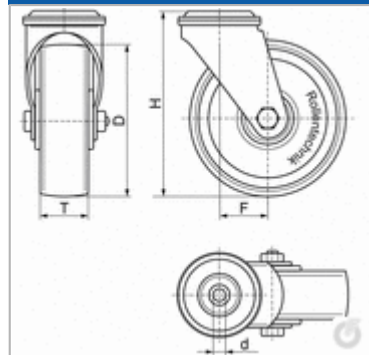
Caster



Wheel



Drawing



Drawing fork head

