



Stand: 2022/07/07

WPU NL 02/100/35G

Item No.: 101144

Housing: Light swivel fork made of steel with with fixing-plate, strong central bolt, double ball race, zincned, sealing, our Series NL

Specifications

Wheel-diameter (D):	100
Wheel-diameter x width (t):	100x34
Structure:	swivel caster without brake
Wheel bearings:	Plain bearing
Material tires:	Polyurethane Rollpur®
Color tires:	yellow
Rim material:	polyamide
Color rim:	yellow
Surface of the housing:	zincned
Material of housing:	steel, pressed
Fixing:	fixing plate
tread (T):	34
non marking:	Yes
Tread hardness (Shore A):	80
fixing plates dimension (A x B):	105x80
Fixing hole (a x b):	80/76x60
Bolt hole Ø:	9
Total high (H):	125
Offset (F):	36
Swivel radius:	86
Load capacity (Kg):	130
Temperature of °C:	-30
Temperature up to °C:	80
EAN-Code:	4250777708654
Delivery time in days:	4
Unit weight (Kg):	0.995

Review

Rolling resistance:	
Wear and tear:	
Soil conserving:	
Driving noise:	

Series

Wheel-Series:	WPU
Housing:	NL

Variants

- [wheel](#)
[WPU 100/35/1G](#)
- [swivel caster with brake](#)
[WPU NL 02/100/35G-FSF](#)
- [fixed caster](#)
[WPU NB 02/100/35G](#)

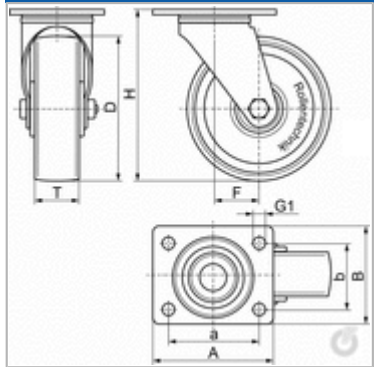
Caster



Wheel



Drawing



Drawing fork head

